

CONGRATULATIONS ON YOUR PURCHASE OF THE FINEST NOTCHING TOOL AVAILABLE

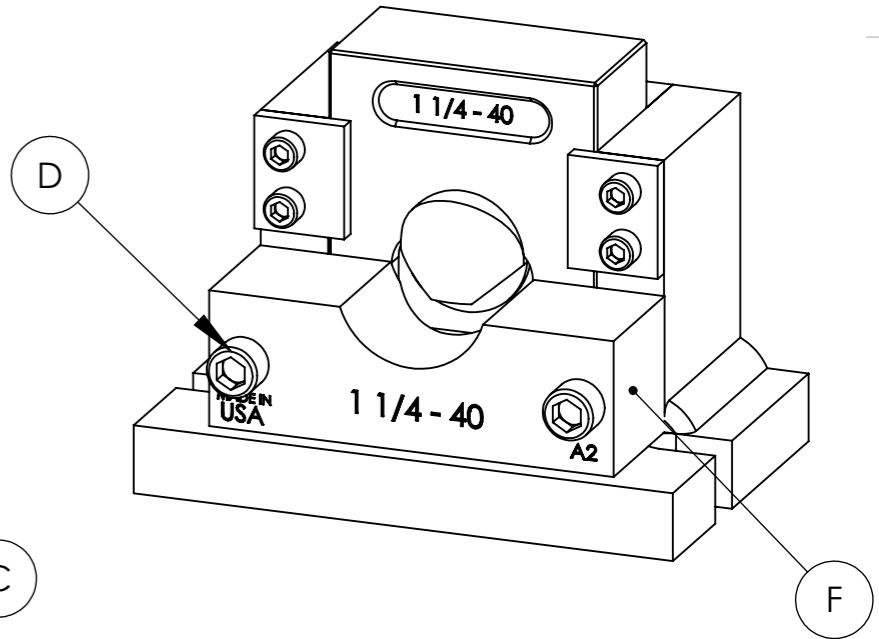
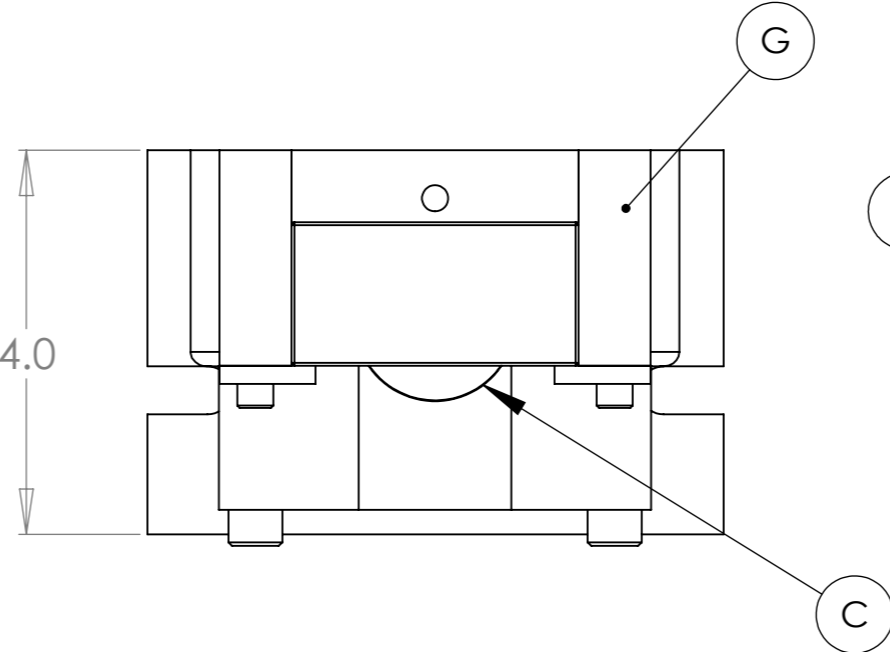
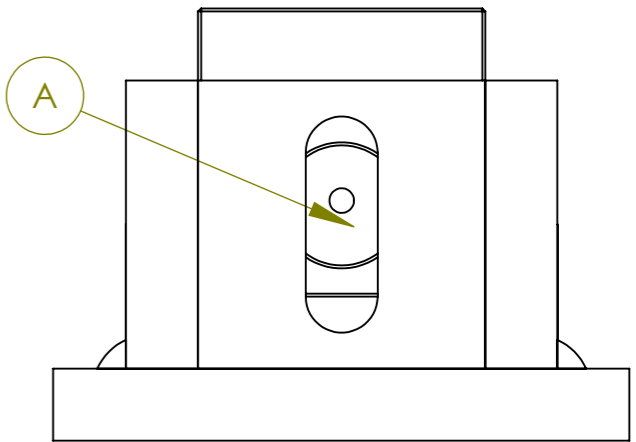
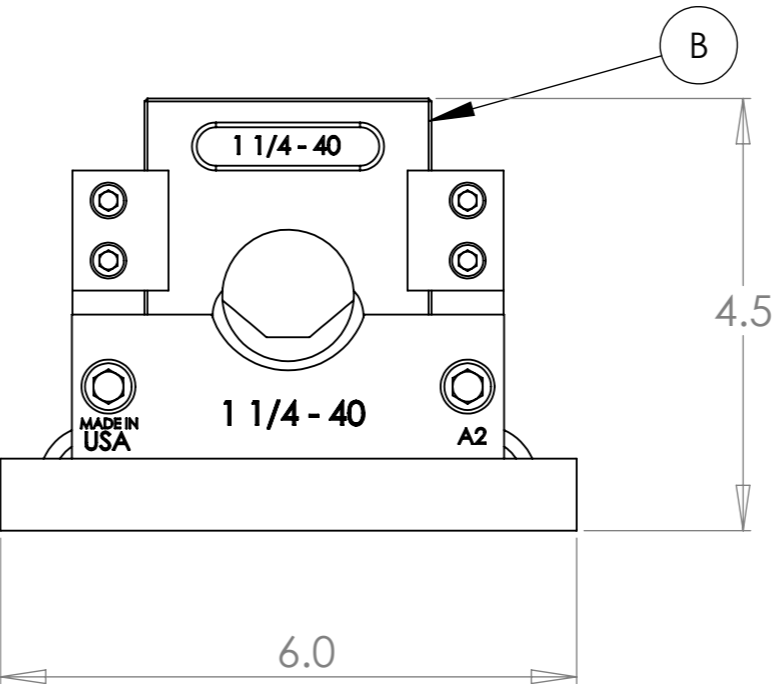
PLEASE READ CAREFULLY BEFORE USE

1) KEEP YOUR TOOL CLEAN

WHENEVER DIRT OR METAL CHIPS ACCUMULATE, PLEASE REMOVE THE SCREW (A) LOCATED IN THE BACK OF THE PUNCH. REMOVE THE PUNCH HOLDER (B) AND CLEAN THE INSIDE OF THE HOUSING (G). SPRINGS MUST BE CLEANED AS WELL.

2) CHECK THE ALIGNMENT OF THE TOOLING

BEFORE FINAL ASSEMBLY OF THE TOOL, ALWAYS CHECK THE ALIGNMENT - DIE CLEARANCE (C). PLACE PUNCH HOLDER (B) BACK IN HOUSING WITHOUT SPRINGS AND MAKE SURE CLEARANCE (C) IS CONSISTENT AROUND ENTIRE RADIUS. IF CLEARANCE IS UNACCEPTABLE, LOOSEN BOLTS (D) AND ADJUST DIE SECTION (F) ACCORDINGLY. ONCE CLEARANCE IS ACCEPTABLE, RE-TIGHTEN BOLTS (D). APPLY GREASE TO INSIDE OF HOUSING AND RE-INSERT PUNCH HOLDER (B) WITH SPRINGS INTO HOUSING (G). INSERT SCREW (A) INTO PUNCH.



CAUTION!
ALWAYS USE ALL
GUARDS ON MACHINES
AND USE SAFETY GLASSES.
NEVER REMOVE RETAINING PIN
WHICH HOLDS PUNCH IN
PUNCH HOLDER

CONTACT INFORMATION	WEB www.projecttool&die.com
NAME	E-MAIL
MIKE L.	projecttool1@shasta.com
CHRIS L.	projecttool3@shasta.com
PHONE	530 243 8903
FAX	530 243 8914

6955 DANYEUR ROAD
REDDING, CA. 96001

**Project Tool & Die
INSTRUCTIONS**

MADE IN THE USA