

THE INFORMATION CONTAINED IN THIS DRAWING IS THE SOLE PROPERTY OF  
 < PROJECT TOOL & DIE > ANY REPRODUCTION IN PART OR WHOLE WITHOUT  
 THE WRITTEN PERMISSION OF < PROJECT TOOL & DIE > IS PROHIBITED.

REV.	DESCRIPTION	REVISIONS	DATE	APPROVED

D

C

B

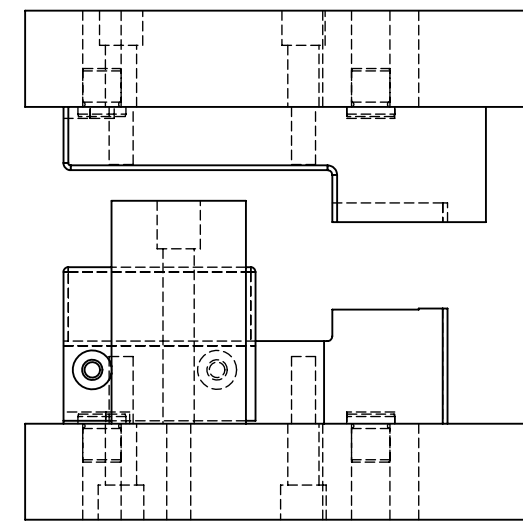
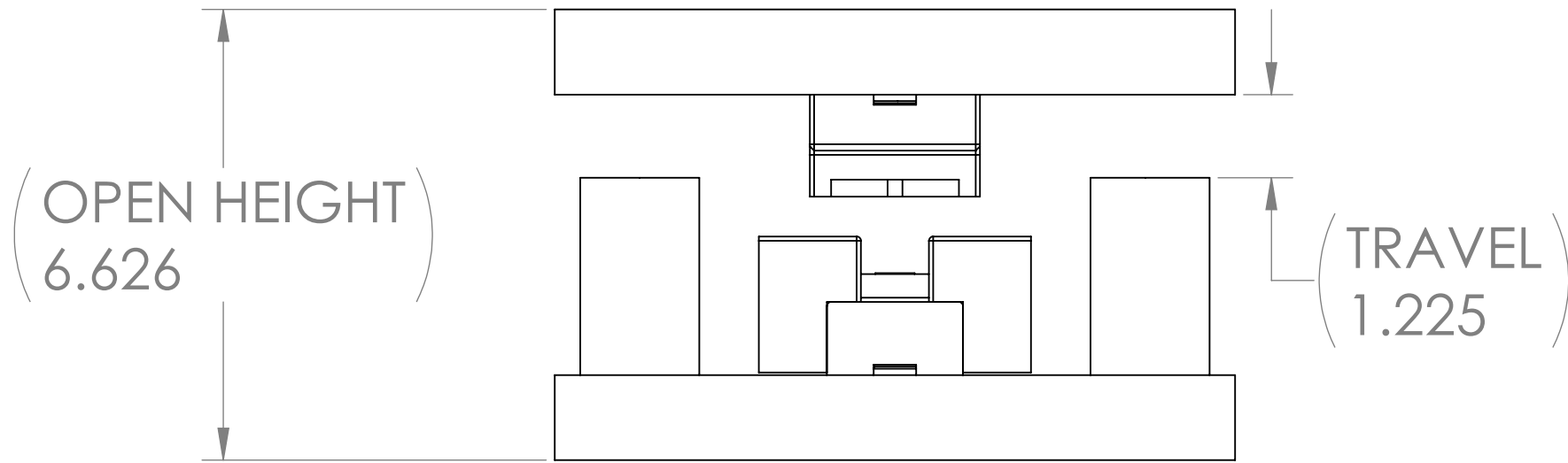
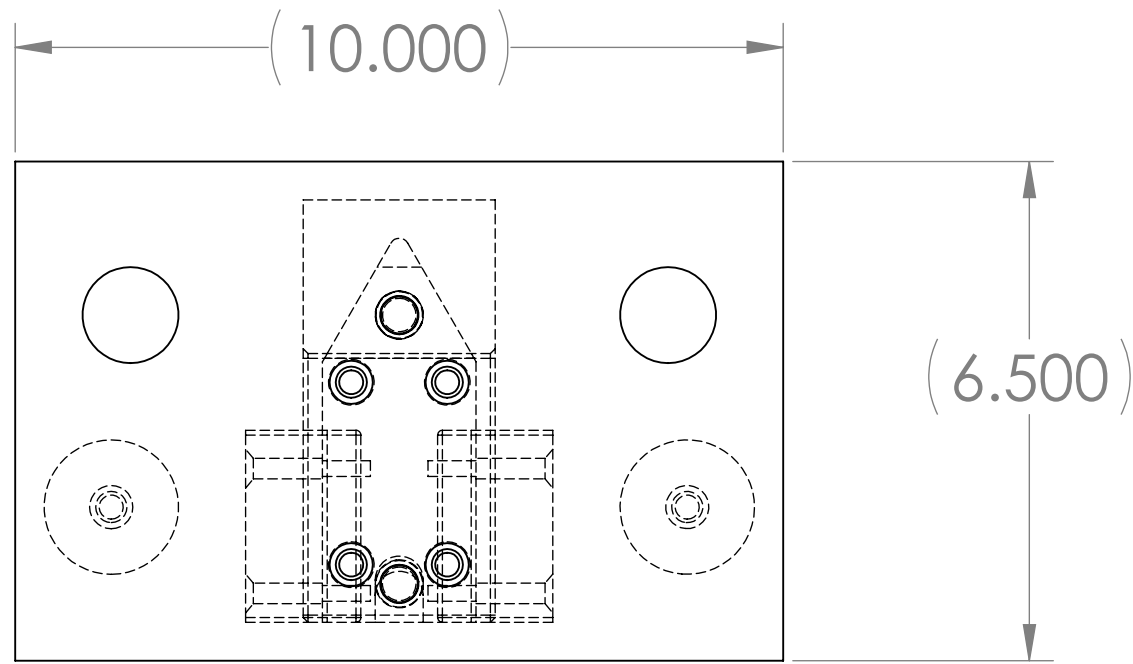
A

D

C

B

A



UNLESS OTHERWISE SPECIFIED  
 DIMENSIONS ARE IN INCHES  
 TOLERANCES ARE:

FRACTIONS	DECIMALS	ANGLES
X	±.050	
.XX	±.020	
.XXX	±.005	

APPROVALS	DATE
DRAWN chris	6-18-09
CHECKED	
RESP ENG	
MFG ENG	
QUAL ENG	

**PROJECT TOOL & DIE**

**SPEAR POINT  
 DIE SET**

SERIE. 1300

DWG. NO. \_\_\_\_\_ REV. \_\_\_\_\_

SCALE \_\_\_\_\_ CAD FILE: \_\_\_\_\_ SHEET 1 OF 1