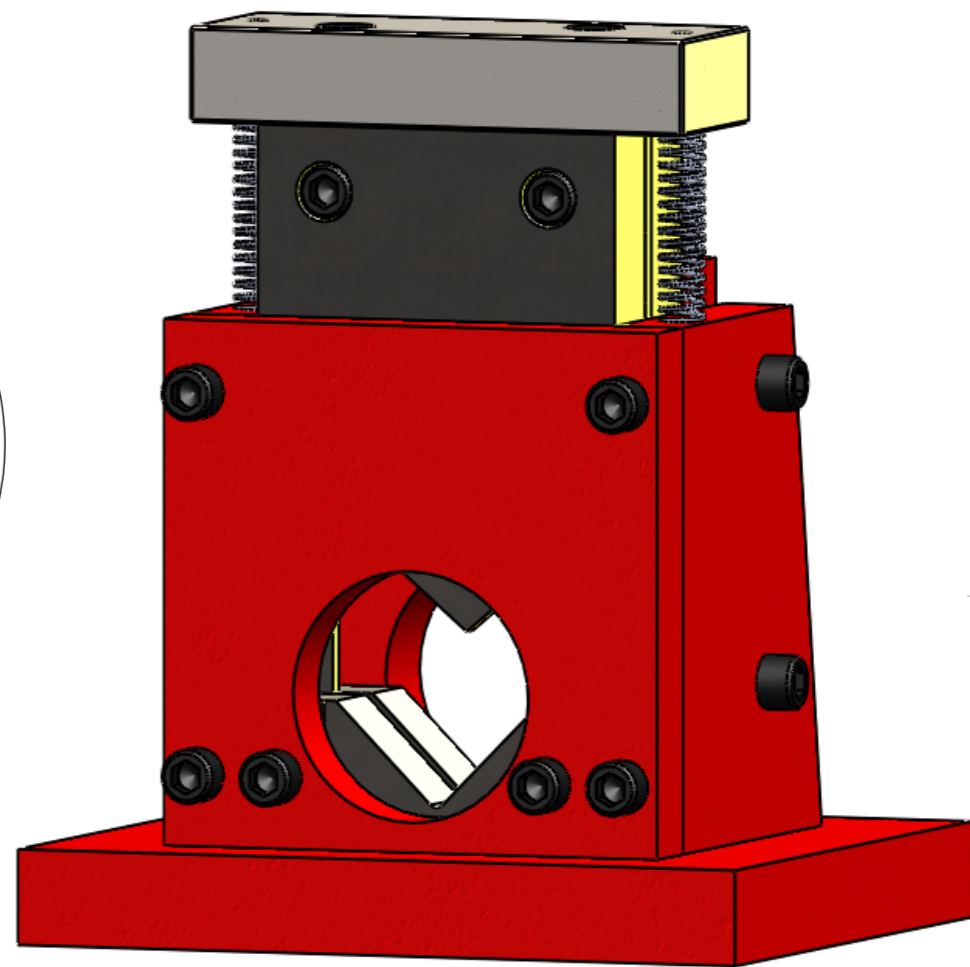
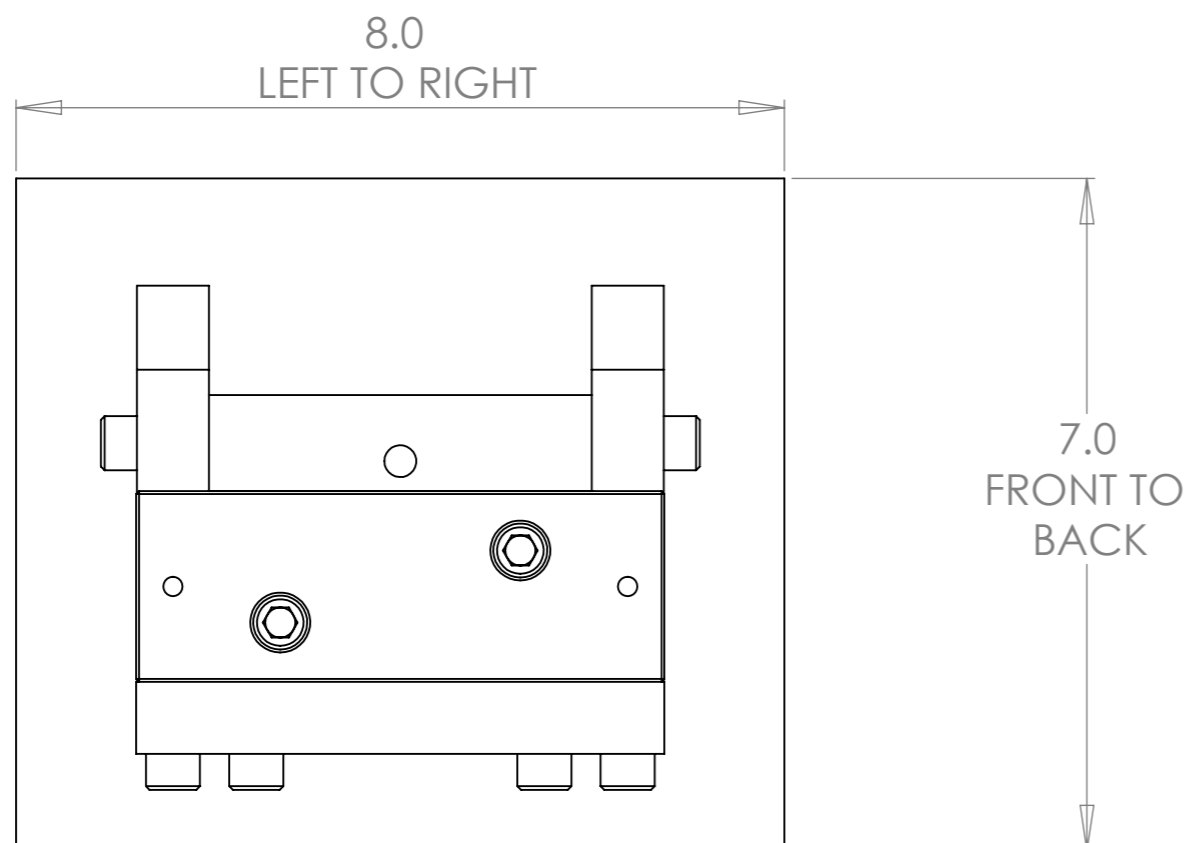


MAXIMUM
CAPACITY
1 1/2" SQUARE



		DEBUR AND BREAK SHARP EDGES		DO NOT SCALE DRAWING	
				Project Tool & Die	
				TITLE: SQUARE TUBE CUT-OFF DIE	
				DWG NO. 3000 CUT OFF	
				A3	
				SCALE:1:2	
				SHEET 1 OF 1	

DRAWN:	CHRIS L.
DATE:	6/29/09
QUANTITY:	1
APP'VD:	MIKE L.
HRC:	59/61
FINISH:	UNLESS OTHERWISE SPECIFIED: DIMENSIONS ARE IN INCHES SURFACE FINISH: TOLERANCES: LINEAR: XX+- .01 XXX+- .005 ANGULAR: +- 1
WEIGHT:	