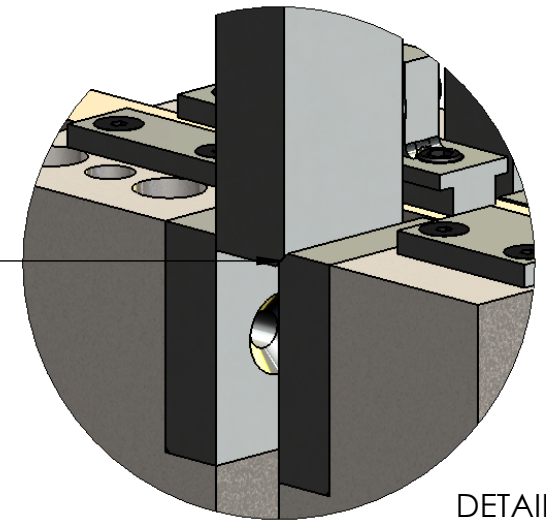
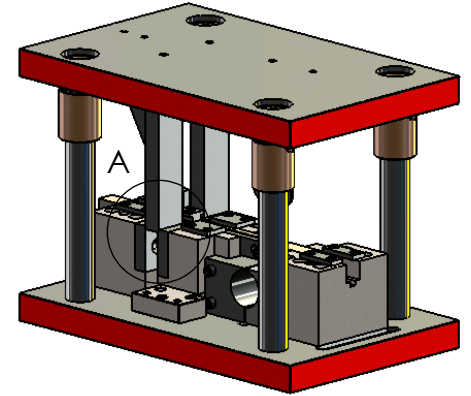


# INSTRUCTIONS

## #5000 CUT-OFF DIE

- 1) MAKE SURE BOTTOM OF DIE IS SECURELY MOUNTED TO PRESS
- 2) MOUNT TOP OF DIE TO PRESS
- 3) SET SHUT HEIGHT OF PRESS TO THE SHUT HEIGHT BLOCKS PROVIDED USING .005 TO .010 SHIM. **DO NOT SLAM DIE DOWN ON SHUT HEIGHT BLOCKS.** THEY ARE INTENDED FOR SET UP ONLY.
- 4) DIE HAS A SPECIFIC OPEN HEIGHT. IT IS CRITICAL NOT TO EXCEED OPEN HEIGHT TO AVOID SERIOUS DAMAGE TO DIE.
- 5) SET OPEN HEIGHT OF DIE SO THAT CAM CHAMFERS (DETAIL A) JUST OVER LAP.
- 6) HORIZONTAL CROSS BLADE SHOULD BE SET TO CUT APPROXAMATELY 1/3 OF WALL FOR ENTRY POINT OF VERTICAL BLADE.



DETAIL A  
SCALE 1 : 2

**PROJECT TOOL & DIE**  
**6955 DANYEUR RD.**  
**REDDING CA, 96001**  
**PH# 530 243 8903**  
**FAX# 530 243 8914**

ALLOW FOR SLUGS TO DROP  
THROUGH BOTTOM OF DIE.

